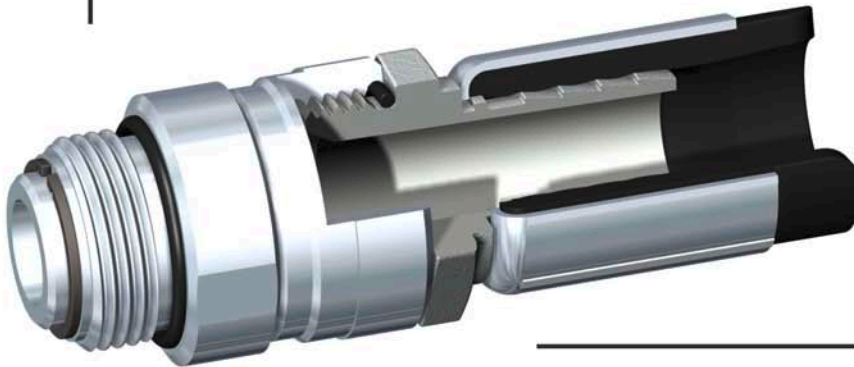
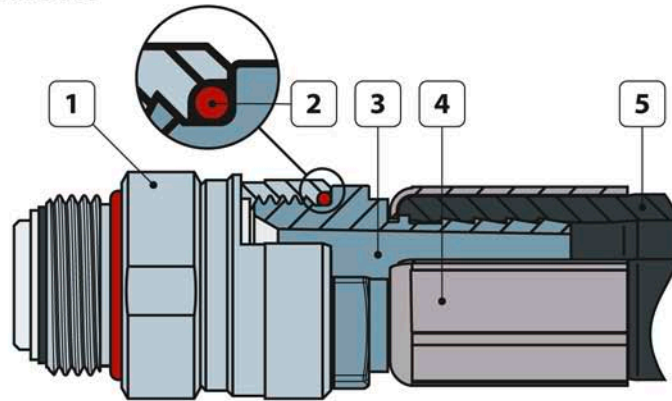


A

FMT V-TEC

THREADED CONNECTIONS

1. Rotating swivel
2. O-ring
3. Threaded nozzle
4. Crimp sleeve
5. Hose



All connections are o-ring sealed.